



INDUSTRIAL PAGING SYSTEMS

A leading Manufacturer, Sales & Service Providers in Industrial Communication & Fire Alarm Systems. Having 25 years extensive experience in this field Presents -

WEATHER PROOF WALL MOUNTING HANDSET STATION LDD 8921/20

GENERAL:

LDD 8921/20 is wall mounting HANDSET STATION with 20W r.m.s. output which forms a part of the industrial PA system. This unit can be directly connected with Philips Industrial Paging System as well as with other makes Industrial Paging System used for the PAGING PURPOSE.

SALIENT FEATURES:

Design based on 25 years experience in Industrial Communication field.

Distributed Amplifier system having 20WRMS power with output short circuit protected.

DC Voltage operating system

Fully compatible with Philips Paging System and similar system used in Industry.

Multilayer PCB ASSEMBLY gives a better reliable product

Connectors are provided for Loop in Loop out connectivity.

Having 2 Independent Channels (PRIVATE & PAGE)

LED indications are provided to indicate the status of the System.

Operating on DC voltage.

PRODUCT INFORMATION:

CONSTRUCTIONS DETAILS:

MAIN ENCLOSURE:

The LDD 8921/20 enclosure is a single compartment housing compromising of top cover and bottom housing .All these parts are made up of LM-6 cast aluminum alloy of recommended composition.

The bottom housing houses all the electrical circuits with connectors for loop in and loop out facility. It also has 4 slots for cable entry glands. Earthing stud is also provided. The electrical circuits are mounted on base plate.

The top cover carries the handset with cradle assembly , a separate notch is provided on top cover for handset cable entry. A feather touch membrane key pad is mounted on top cover with led indications.The top cover fits into the bottom housing with 4 triangular head screws .

HANDSET ASSEMBLY:

The handset assembly comprises of a main body (carrying the mouthpiece and earpiece transducers) and a retractile cord assembly. The main body is made up of ABS moulded plastic.

MOUNTING:

The unit is wall mounting type and can be mounted on any rigid vertical support Bracket are supplied with the unit should be mounted first and then station. 14X7 bracket mounting slots(4 Nos) are provided with unit and 4 Nos of M6 floating nuts for station mounting.

INTERCONNECTIONS:

A total of 4 nos. of 3/4" brass glands are provided to facilitate following interconnections:

- 2 cable glands for 'loop thru' (i.e. in/out) connection of system signal cable. The recommended cable is 11.6mm O D cable
- 1 cable gland for 'loop thru' (i.e. in/out) connection of mains power cable. The recommended cable is 11.6mm O D cable
- 1 cable gland for connecting of external loudspeaker cable. The recommended cable is 11.6mm O D cable

OPERATION:

The unit can communicate on two channels viz. PAGE & PRIVATE

mode. In PAGE mode, announcement can be made by pressing the PAGE SWITCH. A gong tone precedes every PAGE announcement, which can be heard on the PAGE SPEAKERS of all other stations. Generally, the PAGE channel is used to trace out a person in the plant and/or used to address the message to large public in the Plant. The PAGE AMPLIFIER is distributed amplifier system.

For PRIVATE communication, initially, the operator has to PAGE the person to whom he wants to communicate. Then the called person can lift the Handset from nearest station and can communicate on PVT channel. Once, the Handset is off the cradle, the PVT LED of all stations will glow. It indicates that the PVT channel is busy. Now conversation can proceed on PVT mode without pressing any keys. Once, the conversation is over, the call can be terminated by hanging the Handset on CRADLE. During, PVT communication, the PAGE channel is free and can receive any page call and can be reproduced on the external LS.

FUNCTION SWITCH (FS) is used to initiate the call on MASTER CONTROL UNIT. The KEYS provided on the front panel is enabled only when the cradle is off the hook. The keys are disabled when the Handset is on the Hook.



A Mute switch is provided on the front cover. When pressed the PAGE LOUD SPEAKER is muted. (This is an useful feature for carrying out undisturbed conversion over the private channel).

CONTROL AND FACILITIES:

External controls /Facilities:

- 1 x PAGE , LSM , FS switch membrane ,with tactile feedback
- 1 x front panel HANDSET
- 1 x Earthing stud provided for connecting safety earth.

Internal controls /Facilities:

- a. Line driver input sensitivity control.
- b. receive level control for EARPIECE
- c. Speech filter through jumper.

Front panel indication:

- POWER ON LED GREEN
- PVT BUSY LED RED

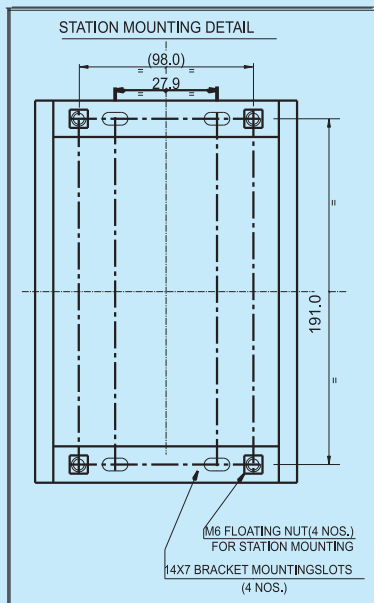
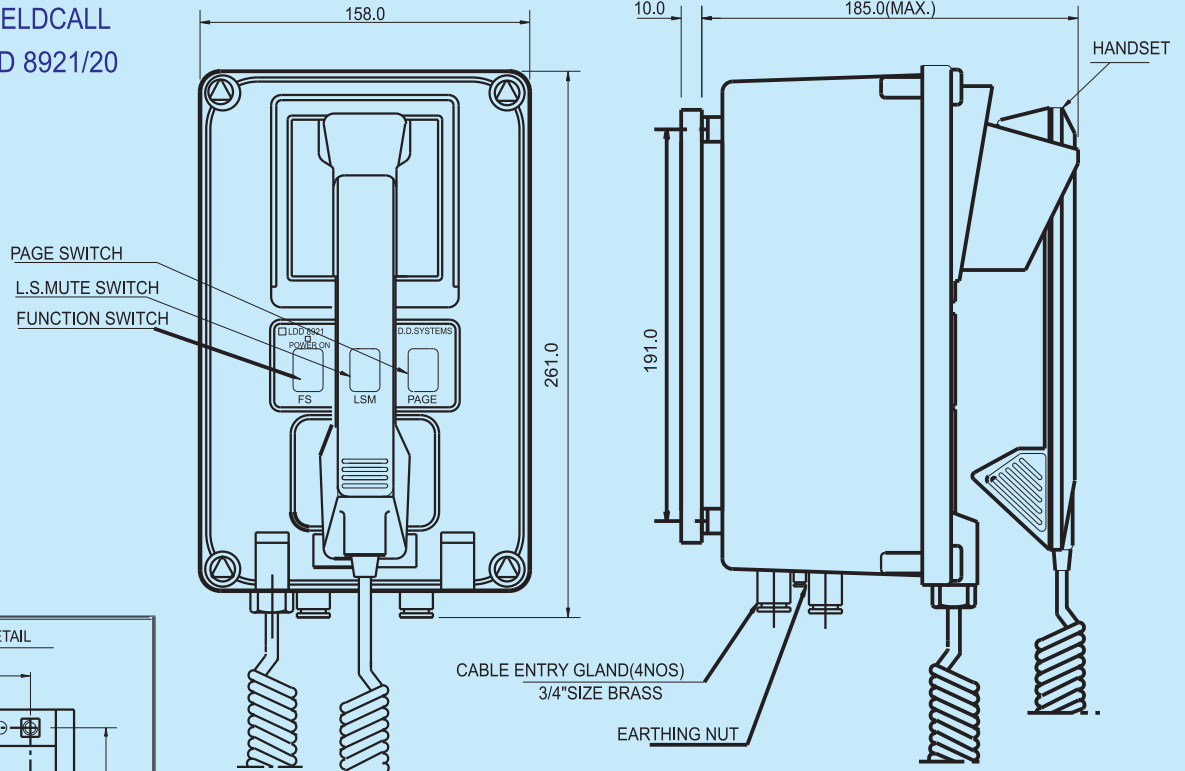


D.D. SYSTEMS

Everything is Possible

INDUSTRIAL PAGING SYSTEMS

WALL MOUNTING FIELDCALL
G.A DRAWING - LDD 8921/20



- NOTE:-
- 1) MATERIAL -ALLUMINIUM ALLOY LM6
 - 2) PAINTED STOV.ENAMEL STIPPLE FINISH
BOX-BLUE
COVER-BLUE
 - 3) WEIGHT - 5.0KG APPROX
 - 4) BRACKET SUPPLIED WITH STATION TO BE MOUNTED FIRST THEN STATION TO BE SCREWED.
- ALL DIMENSIONS ARE IN MM
GENERAL TOL.±2.0 MM.



D. D. Electronic Equipments Private Limited

Work Address :

14, Prestige Plaza I,
Opp. Formica Akurdi, Pune - 411 035.
Tel : 020 - 46720088, **Fax :** 020 - 46720410
E-mail : info@ddsystem.net, sales@ddsystem.net
Website : www.ddsystem.net
Branch Office :
 15, Nabapally, Ananta Datta Road,
 P.O. Italgacha, Kolkata - 79.
Tel : +91 - 9331658044

DEALER'S ADDRESS :

